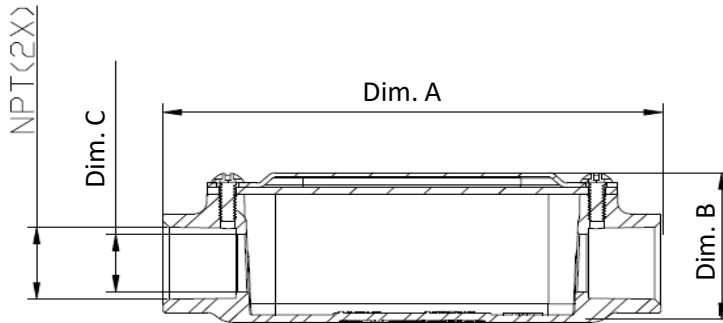
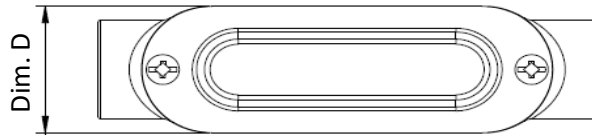


LC Threaded Conduit Bodies with Steel Cover & Gasket - Gray



Item #	Size (NPT)	Dim. A	Dim. B	Dim. C	Dim. D
LC050	1/2"	4.72	1.59	0.61	1.33
LC075	3/4"	5.51	1.86	0.81	1.56
LC100	1"	6.45	2.12	1.04	1.82
LC125	1-1/4"	8.34	2.73	1.37	2.50
LC150	1-1/2"	8.34	2.73	1.60	2.50
LC200	2"	10.55	3.64	2.05	3.18
LC250	2-1/2"	13.46	4.29	2.46	4.49
LC300	3"	13.46	4.84	3.06	4.49
LC350	3-1/2"	16.10	5.90	3.54	5.55
LC400	4"	16.10	5.90	4.01	5.55



TOLERANCE UNLESS OTHERWISE SPECIFIED: X.X +/- 0.2 .XX +/- 0.1

BODY MATERIAL	Aluminum Die Cast
COVER MATERIAL	Steel
CERTIFICATIONS:	UL 514A (QCIT)
MARKING:	cULus
CERT#	E362604



Superflex Ltd.
400 S 2nd Street
Elizabeth NJ 07206

PART NO	REV DATE
REV: 1	8/1/2023