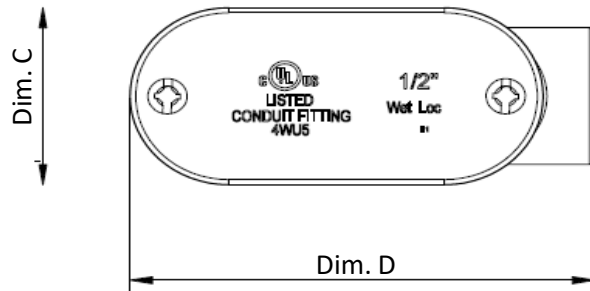
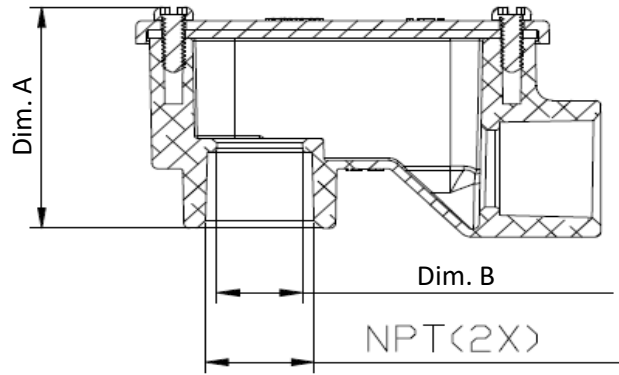
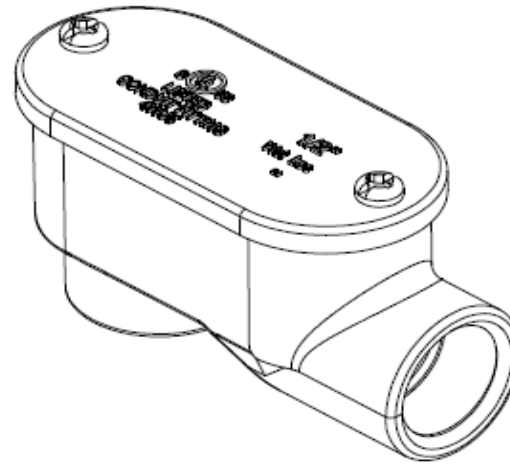


## SLB Threaded Conduit Bodies with Steel Cover & Gasket - Gray



| Item # | Size (NPT) | Dim. A | Dim. B | Dim. C | Dim. D |
|--------|------------|--------|--------|--------|--------|
| SLB050 | 1/2"       | 1.72   | 0.60   | 1.38   | 3.26   |
| SLB075 | 3/4"       | 1.94   | 0.80   | 1.56   | 3.55   |
| SLB100 | 1"         | 2.33   | 1.04   | 1.97   | 4.30   |
| SLB125 | 1-1/4"     | 2.70   | 1.36   | 2.41   | 5.44   |
| SLB150 | 1-1/2"     | 2.88   | 1.59   | 2.65   | 6.43   |
| SLB200 | 2"         | 3.26   | 2.05   | 3.14   | 6.73   |



TOLERANCE UNLESS OTHERWISE SPECIFIED: X.X +/- 0.2 .XX +/- 0.1

|                 |                   |
|-----------------|-------------------|
| BODY MATERIAL   | Aluminum Die Cast |
| COVER MATERIAL  | Steel             |
| CERTIFICATIONS: | UL 514A (QCIT)    |
| MARKING:        | cULus             |
| CERT#           | E362604           |

**Superflex Ltd.**  
SINCE 1981

PROPERTY OF SUPERFLEX LTD

Superflex Ltd.  
400 S 2nd Street  
Elizabeth NJ 07206

|                |          |
|----------------|----------|
| <b>PART NO</b> | REV DATE |
| <b>REV: 1</b>  | 8/1/2023 |